



elite
EV + CHARGING

EVR4-1-40A

RESIDENTIAL • SINGLE-FAMILY



OCPP 1.6J



- Photovoltaic (PV) Compatible, for Solar Power Systems
- Wi-Fi, Bluetooth
- Dynamic Load Balancing
- Scheduled Charging

EVR4-1-40A

RESIDENTIAL • SINGLE-FAMILY

The Elite EVR4 model brings Wi-Fi connectivity to your garage or driveway, making it easier than ever to control your charging experience. With the user-friendly Elite EV app, you can conveniently schedule charging, set reminders, and monitor your energy consumption. Its CSA listing and Energy Star certification ensure top-notch safety and efficiency, while its IP66-rated weatherproof design allows it to withstand outdoor conditions. PV compatible, the EVR4 integrates seamlessly with solar power systems. Plus, the Elite EVR4 is backed by a reliable 2-year warranty for added peace of mind.



Specifications

Model Number	EVR4-1-40A/32A/16A-9KW-BLE-WIFI
Charging Type	Level 2
Output Power And Current	9.6kW • 40A / 7.6kW • 32A / 3.8kW • 16A
Circuit Rating	50A 40A 20A
Input / Output Voltage	240VAC • 60Hz
Power Distribution	Single Phase, L1+L2+G
Cable Type	SAE J1772, Type 1 plug
Charging Cable Length	25ft
Protection	Under Voltage Protection (UVP), Over Voltage Protection (OVP), Residual Current Device (RCD), Surge Protection Device (SPD), Over Current Protection (OCP), Over Temperature Protection (OTP), Control Pilot Fault Protection
Ground Fault Protection	Integrated 20 mA CCID (CCID20)
Energy Metering Accuracy	Onboard Measurement (±2%)
Overvoltage Category	II
Available Configurable Contacts	1 Input, 1 Output

General Information

Receptacle Type	NEMA 14-50 with 3ft cable or Hardwired
Enclosure Rating	Indoor and Outdoor; NEMA 4/ IP66, IK10
Operating Altitude (Max)	2,000 m (6,561 ft)
Operating Temperature Range	-30 °C to +50 °C (-22 °F to +122 °F)
Storage Temperature Range	-40 °C to +85 °C (-40 °F to +185 °F)
Max Humidity	Up to 95% non-condensing
Mounting	Wall, Pedestal Option
Dimensions H × W × D	13.54" x 7.54" x 3.93"
Weight	13.22 lbs

Interface

Connectivity	Wi-Fi, Bluetooth
Wi-Fi Signal	2.4 G
User Interface / Installer Interface	APP • RFID
Communication Protocols	OCPP 1.6 J
Status Indication	Power On / Ready to Charge / Charging / Error / Standby
LED Indicator	Green/Yellow/Red

EVR4-1-40A

RESIDENTIAL • SINGLE-FAMILY

Configuration

Software Update	OCPP Platform
Control And Configuration	App

Certification and standards

Safety Standards	UL2594, UL2231-1/-2
Codes And Standards	FCC Part 15 Class B
Certification	CSA, Energy Star, FCC
Warranty	24 months

Ordering Chart

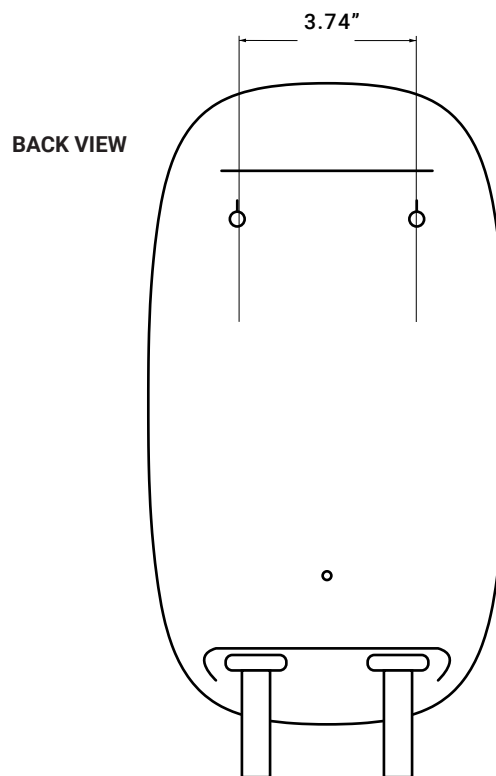
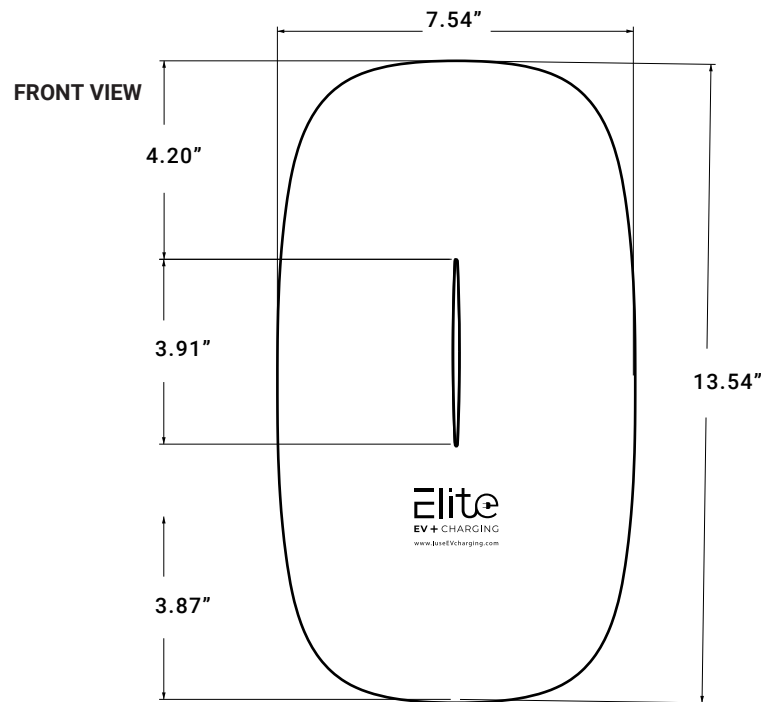
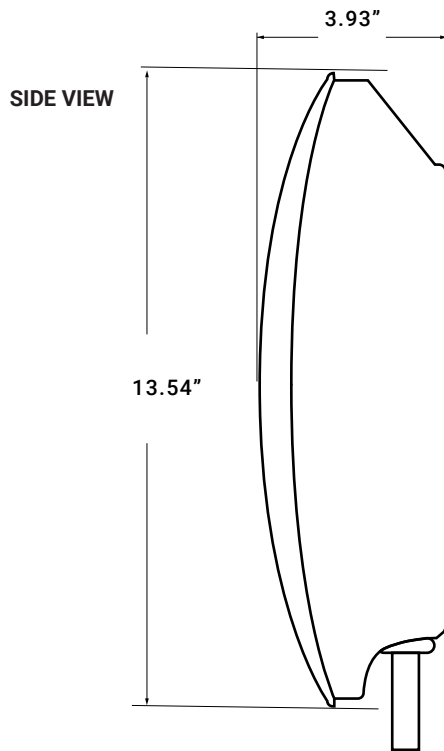
Part	Residential	Family	Amerpage	Max Rated Power	Bluetooth	Wi-Fi
EV	R	4-1	40A/32A/16A	9.6kW	BLE	Wi-Fi

Example

EVR4 - 1 - 40A/32A/16A - 9KW - BLE - WIFI

EVR4-1-40A

RESIDENTIAL • SINGLE-FAMILY



EVR4-1-40A

RESIDENTIAL • SINGLE-FAMILY



Power

Up to 40A / 9.6kW charging capacity



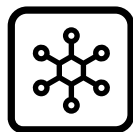
Safety

SAE J1772 compliant Type 1 plug
Safe 25ft charging cable



Wi-Fi

Connect EVR4 via Wi-Fi & Bluetooth
Use the app to control your charger



Flexibility

Schedule charging sessions during off-peak hours
to reduce utility costs.



Durable

NEMA 4/ IP66 and IK10 protection ratings
Proper certifications for indoors and outdoors
