



EVR2-1-40A/32A/16A **RESIDENTIAL • SINGLE-FAMILY**



- Wi-Fi & Bluetooth
- Remote charge
- Schedule charge
- Dynamic load balance setting
- View charge history and power consumption
- Adjust the output from 40A to 16A through the app or switch



OCPP 1.6J

EVR2-1-40A/32A/16A

RESIDENTIAL • SINGLE-FAMILY

The Elite EVR2 model enables Wi-Fi connectivity in your garage or driveway. Take control of your charging experience with the user-friendly Elite EV app, allowing you to conveniently schedule charging, set reminders, and monitor your energy consumption. With its ETL listing, the Elite EVR2 ensures safety. It is also designed to withstand outdoor conditions with its weatherproof capabilities and is supported by a reliable 3-year warranty.



Specifications

Model Number	EVR2-1-40A/32A/16A		
Charging Type	Level 2		
Output Power And Current	9.6kW • 40A / 7.6kW • 32A / 3.8kW • 16A		
Recommended Service Panel Breaker	50A	40A	20A
Input / Output Voltage	208/240VAC • 50/60Hz		
Power Distribution	Single Phase / Split Phase		
Cable Type/ Cable Storage	SAE J1772, Type 1 plug/ Cable is wrapped around holster inlet		
Charging Cable Length	25 ft		
Protection	Under Voltage Protection (UVP), Over voltage protection (OVP), Residual Current Device (RCD), Surge Protection Device (SPD), Over Current Protection (OCP), Over Temperature Protection (OTP), Control Pilot Fault Protection		
Ground Fault Protection	Integrated 20 mA CCID (CCID20)		
Energy Metering Accuracy	Revenue grade energy meter Class B (±1%)		
Overvoltage Category	III		
Available Configurable Contacts	1 Input, 1 Output		

General Information

Enclosure Rating	Indoor and Outdoor; NEMA 6-50, IP65, IK08
Operating Altitude (Max)	2,000 m (6,561 ft)
Operating Temperature Range	-30 °C to +50 °C (-22 °F to +122 °F)
Storage Temperature Range	-40 °C to +85 °C (-40 °F to +185 °F)
Max Humidity	Up to 95% non-condensing
Mounting	Wall, Pedestal Option
Dimensions H × W × D	14.20" x 9.80" x 4.40"
Weight	15 lbs

Interface

Connectivity	Wi-Fi, Bluetooth
Wi-Fi Signal	2.5 G
User Interface / Installer Interface	Elite Ev App or Portal For Setup, OCPP 1.6J
Communication Protocols	LAN Standard
Status Indication	Power On / Ready to Charge / Charging / Error / Standby
LED Indicator	Power On (All lights: Red, Green, Blue) / Ready to Charge (Steady Green) / Charging (Blinking Green) / Error (Red) / Standby (Blue)

EVR2-1-40A/32A/16A

RESIDENTIAL • SINGLE-FAMILY

Configuration

Software Update	Elite EV app or portal, OCPP 1.6J
Control And Configuration	Elite EV app or portal, OCPP 1.6J

Certification and standards

Safety Standards	UL2594, UL2231-1/-2, CSA
Codes And Standards	FCC Part 15 Class B
Certification	ETL, FCC
Warranty	36 months

Ordering Chart

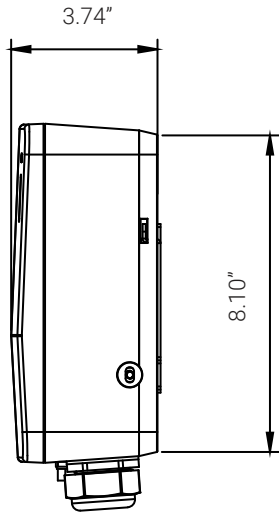
Part	Residential or Commercial	Family	Amerpage	Max Rated Power	Bluetooth	Wi-Fi
EV	R	2-1	40A/32A/16A	9kW (9.6kW)	BLE	Wi-Fi

Example

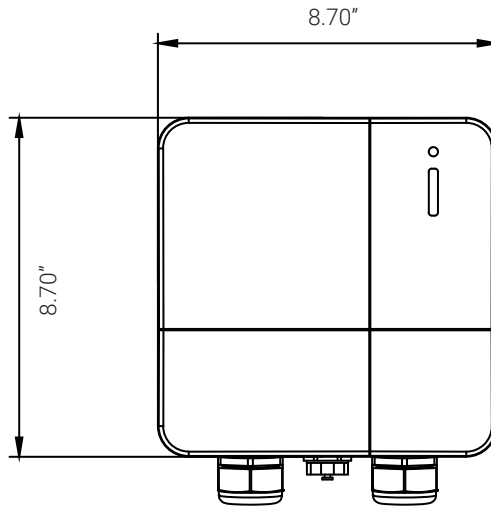
EVR2 - 1 - 40A/32A/16A - 9KW - BLE - WIFI

EVR2-1-40A/32A/16A

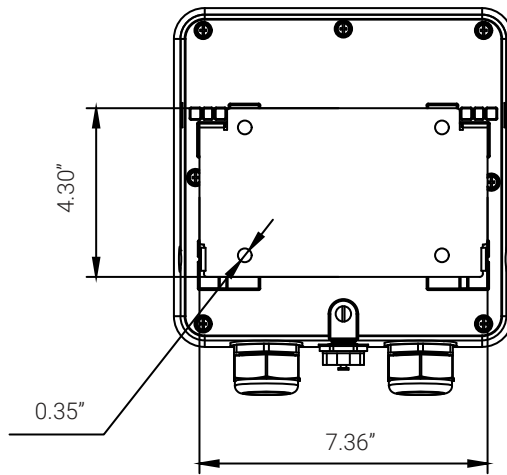
RESIDENTIAL • SINGLE-FAMILY



SIDE VIEW



FRONT VIEW



BACK VIEW



Power

Up to 40A / 9.6kW charging capacity



Safety

SAE J1772 compliant Type 1 plug
Safe 25 ft charging cable



Convenient

Adjust power as needed: 40A-16A using the app
or switch



Wi-Fi

Connect EVR2 via Wi-Fi & Bluetooth,
Use the app to control your charger



Flexibility

The Elite EV App makes energy management
strategy easy



Durable

IP65 and IK08 protection ratings
Proper certifications for indoors and outdoors