



Elite
EV + CHARGING

EVC8-1-96A
COMMERCIAL

- Wi-Fi, Bluetooth, 4G LTE
- Adjust the output as needed using the switch



EVC8-1-96A

COMMERCIAL

EVC8 will introduce wireless connectivity to parking lots and structures. One or dual plug options available. UL listed and ETL certified for safety. EVC8 also features weatherproof capabilities for outdoor installation and comes with a reliable 3-year warranty.



Specifications

Model Number	EVC8-1-96A			
Charging Type	Level 2			
Output Power And Current	11.5kW • 48A x 2 / 9.6kW • 40A x 2 / 7.6kW • 32A x 2			
Recommended Service Panel Breaker	<i>Please refer to chart below</i>			
Input / Output Voltage	208/240VAC • 50/60Hz			
Power Distribution	Single Phase / Split Phase			
Cable Type/ Cable Storage	SAE J1772, Type 1 plug/ Cable is wrapped around holster inlet			
Charging Cable Length	25 ft			
Protection	Under Voltage Protection (UVP), Over voltage protection (OVP), Residual Current Device (RCD), Surge Protection Device (SPD), Over Current Protection (OCP), Over Temperature Protection (OTP), Control Pilot Fault Protection			
Ground Fault Protection	Integrated 20 mA CCID (CCID20)			
Energy Metering Accuracy	Revenue grade energy meter Class B (±1%)			
Overvoltage Category	III			
Available Configurable Contacts	1 Input, 2 Output			
Number of Ports	2			
Recommended Service Panel Breaker	One AC	48A x 2 120A	40A x 2 100A	32A x 2 80A
	Two AC	48A x 2 60A x 2	40A x 2 50A x 2	32A x 2 40A x 2

General Information

Enclosure Rating	Indoor and Outdoor; IP65, IK08
Operating Altitude (Max)	2,000 m (6,561 ft)
Operating Temperature Range	-30 °C to +50 °C (-22 °F to +122 °F)
Storage Temperature Range	-40 °C to +85 °C (-40 °F to +185 °F)
Max Humidity	Up to 95% non-condensing
Mounting	Wall or Floor using a pedestal
Dimensions H × W × D	18.50" x 13.40" x 4.40"

EVC8-1-96A

COMMERCIAL

Interface

Connectivity	4G LTE, Wi-Fi option
Wi-Fi Signal	2.5 G
User Interface / Installer Interface	OCPP 1.6J
Communication Protocols	LAN Standard
Status Indication	Power On / Ready to Charge / Charging / Error / Standby
LED Indicator (Please see page 3)	Power On (All lights: Red, Green, Blue) / Ready to Charge (Steady Green) / Charging (Blinking Green) / Error (Red) / Standby (Blue)

Configuration

Software update	OCPP 1.6J
Control and configuration	OCPP 1.6J

Certification and standards

Safety standards	UL2594, UL2231-1/-2
Codes and standards	FCC Part 15 Class B
Certification	ETL, FCC
Warranty	36 months

Ordering Chart

Part	Residential or Commercial	Family	Max Amperage	Max Rated Power	Circuits	Bluetooth	Wi-Fi	4G LTE
EV	C	8-1	96A	11kW (11.5x2=23kW)	2	BLE	WIFI	4GLTE

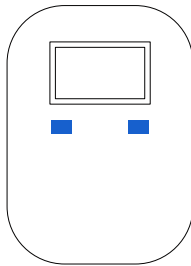
Example

EVC8 - 1 - 96A - 11KW - 2 - BLE - WIFI - 4GLTE
--

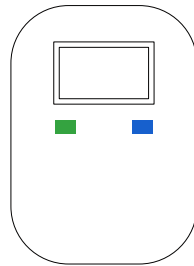
EVC8-1-96A

COMMERCIAL

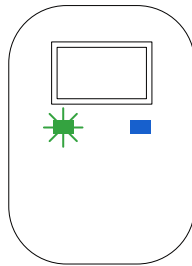
Standby for plug in



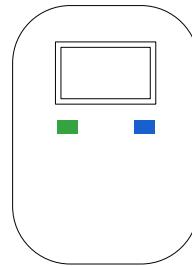
Ready to Charge



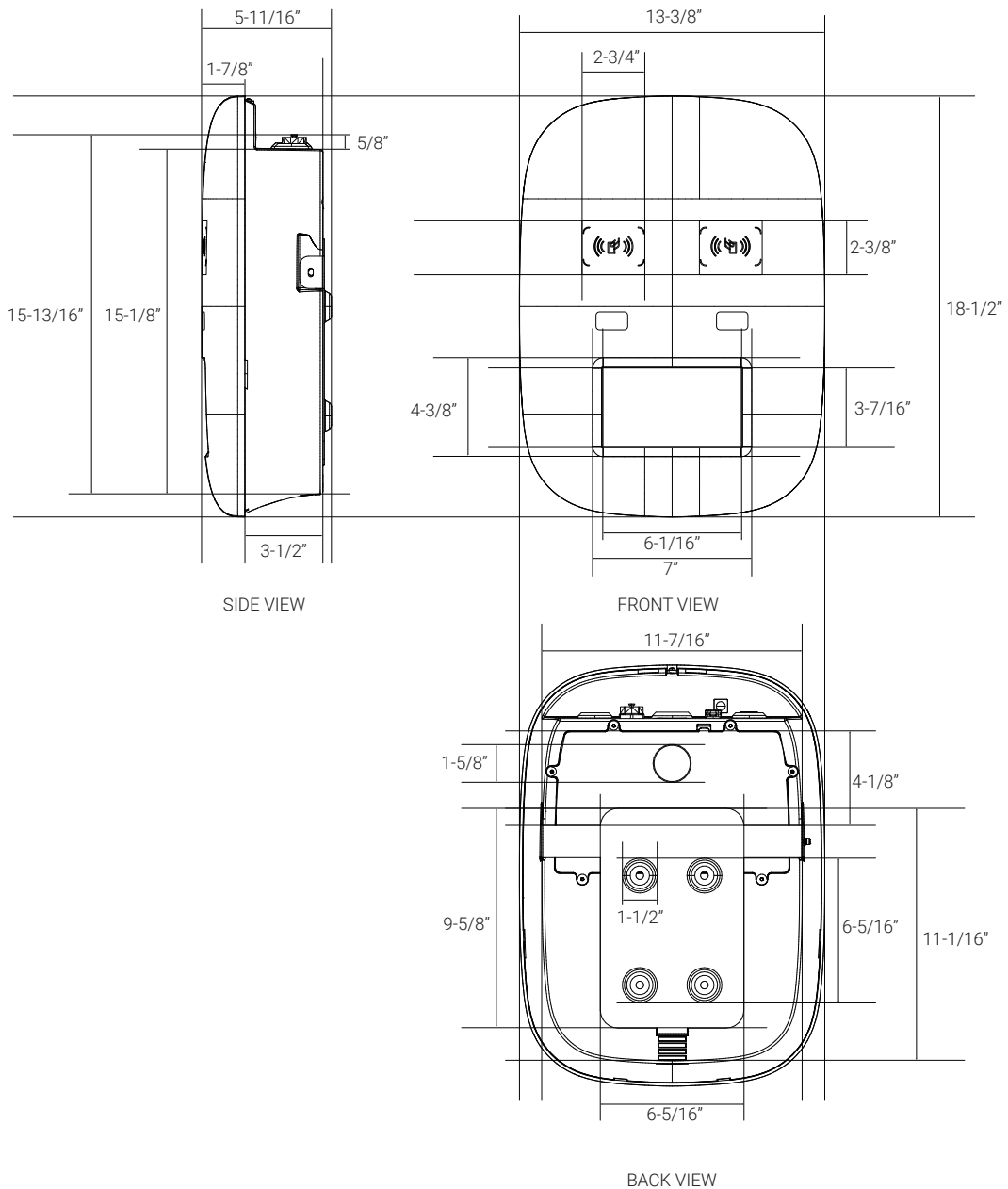
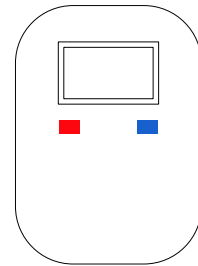
Charging



Finished Charging



Error





Power

Up to 96A / 11.5kW +11.5kW charging capacity



Safety

SAE J1772 compliant Type 1 connector/ J plug
Safe 25ft. charging cable



Convenient

Adjust power as needed using the switch



Wi-Fi

Connect EVC8 via Wi-Fi, Bluetooth, 4G LTE



Flexibility

Open Charge Point Protocol (OCPP 1.6-J)
Provides users with the freedom to choose service providers within the secure OCPP network.



Durable

IP65 and IK08 protection ratings
Proper certifications for indoors and outdoors